



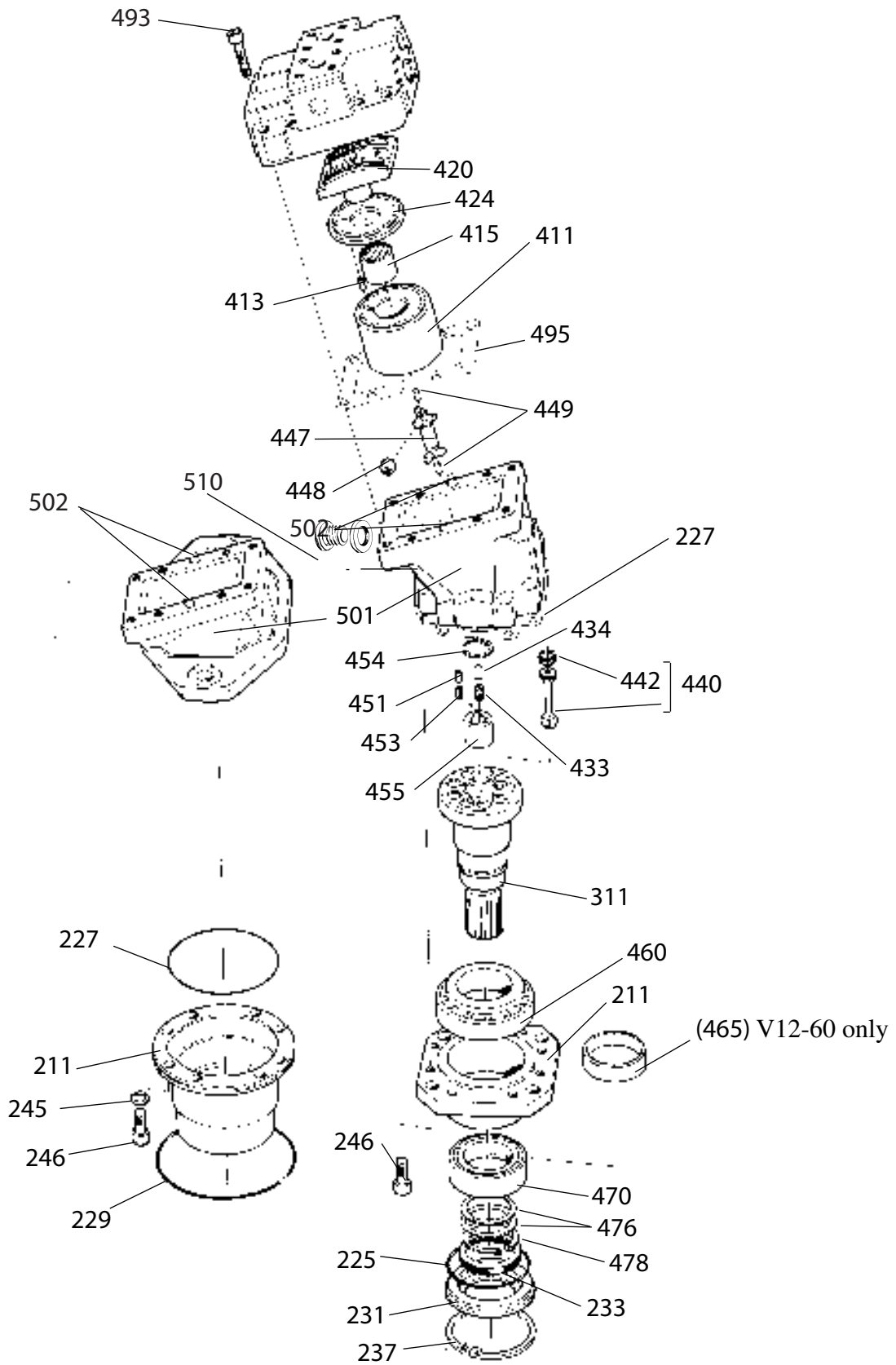
HY30-5514-M1/UK/SE

# Spare Parts Series V12

Effective: September, 2007  
Supersedes: June, 2006

---





## General Parts V12-60

Item	Part No	Title	Benämning	Qty	Remarks
211	3792297	Bearing Housing	Lagerhus	1	Type C
211	3791851	Flange	Fläns	1	Type I
211	3709932	Flange	Fläns	1	Type S
225	948981	O-ring	O-ring	1	94,5*3, Viton
227	3791854	Gasket	Packning	1	
227	3796541	O-ring	O-ring	1	114,5*3, Viton
229	976641	O-ring	O-ring	1	150*4, For C-Housing
229	3794861	O-ring	O-ring	1	117,07*3,53, For S-Flange
231	3791510	Seal Carrier	Tättringshållare	1	
233	3793419	Shaft Seal	Tättningsring	1	45*65*6, Viton
237	914548	Retaining Ring	Spårring	1	
245	947083	Seal Washer	Tätbricka	8	
246	3794766	Hex. Socket Screw	Insexskruv	8	M10*30, For C-Housing
246	949067	Hex. Socket Screw	Insexskruv	8	M10*30, For I-Flange
246	973198	Hex. Socket Screw	Insexskruv	8	M10*55, For S-Flange
311	3793747	Shaft	Axel	1	Type C
311	3793573	Shaft	Axel	1	Type D
311	3793059	Shaft	Axel	1	Type S
411	3791753	Cylinder Barrel assy.	Cylindertrumma kpl.	1	Replaces 3791752
413	3793447	Guide Pin	Styrstift	3	
415	184777	Needle Bearing	Nålbussning	1	Included in cylinder barrel
420	3793196	Valve Segment assy.	Ventilsegment kpl.	1	
424	3793065	Sliding Plate	Glidplatta	1	
433	3792348	Compression Spring	Tryckfjäder	1	
434	3791500	Guide Pin	Styrpinne	1	
440	3793583	Piston assy.	Kolv kpl.	9	
442	3792345	Piston Ring	Lamelling	27	
447	3782238	Joint Shaft	Synkroniseringsaxel	1	Replaces 3791518
448	3707534	Joint Roller	Rulle	6	
449	3791502	Support Pin	Stödpinne	2	
451	949802	Spring Pin	Rörpinne	3	
453	3705958	Pin	Pinne	3	
454	3792411	Retaining Ring	Spårring	1	
455	3791513	Joint Coupling	Medbringare	1	
460	184687	Tapered Roller Bearing	Koniskt rullager	1	T7FC 050
465	3791763	Spacer Sleeve	Distanshylsa	1	
470	184760	Cylindrical Bearing	Cylindriskt lager	1	NUP2210ECP
476	974190	Spacer Washer	Distansbricka		0,5
476	977614	Spacer Washer	Distansbricka		0,6
476	977615	Spacer Washer	Distansbricka		0,8
476	974191	Spacer Washer	Distansbricka		1,0
478	914472	Retaining Ring	Spårring	1	
493	973198	Hex Socket Screw	Insexskruv	8	M10*55, 10.9
495	3791772	Gasket	Packning	1	
501	3793445	Intermediate Housing	Mellanhus	1	Type C
501	3793066	Intermediate Housing	Mellanhus	1	Type I
501	3793755	Intermediate Housing	Mellanhus	1	Type S
502	950588	Pin	Pinne	2	
510	3793607	Hex Socket Plug assy	Insexpropp kpl	1	M18, Viton, For C-Housing
510	3793600	Hex Socket Plug assy	Insexpropp kpl	1	M22, For I-Housing
510	3708150	Hex Socket Plug assy	Insexpropp kpl	1	7/8"-14, For S-Housing

## General parts V12-80

Item	Part No	Title	Benämning	Qty	Remarks
211	3792279	Bearing Housing	Lagerhus	1	Type C
211	3791851	Flange	Fläns	1	Type I
211	3709932	Flange	Fläns	1	Type S
225	948981	O-ring	O-ring	1	94,5*3, Viton
227	3791854	Gasket	Packning	1	
227	949736	O-ring	O-ring	1	139.5*3, Viton
229	976642	O-ring	O-ring	1	180*4, For C-Housing
229	3794861	O-ring	O-ring	1	117,07*3,53, For S-Flange
231	3791510	Seal Carrier	Tättringshållare	1	
233	3793419	Shaft Seal	Tättningsring	1	45*65*6, Viton
237	914548	Retaining Ring	Spårring	1	
245	947083	Seal Washer	Tätbricka	8	
246	949067	Hex. Socket Screw	Insexskruv	8	M10*30
246	973198	Hex. Socket Screw	Insexskruv	8	M10*55, For S-Flange
311	3794779	Shaft	Axel	1	Type C
311	3793303	Shaft	Axel	1	Type D
311	3792893	Shaft	Axel	1	Type S
411	3792936	Cylinder Barrel	Cylindertrumma	1	Replaces 3709968
413	3793447	Guide Pin	Styrstift	3	
415	184093	Needle Bearing	Nålbusning	1	Included in cylinder barrel
420	3792937	Valve Segment assy.	Ventilsegment kpl.	1	
424	3792896	Sliding Plate	Glidplatta	1	
433	3792348	Compression Spring	Tryckfjäder	1	
434	3791500	Guide Pin	Styrpinne	1	
440	3793306	Piston assy.	Kolv kpl.	9	
442	3791607	Piston Ring	Lamellring	27	
447	3782238	Joint Shaft	Synkroniseringsaxel	1	Replaces 3791518
448	3707534	Joint Roller	Rulle	6	
449	3791502	Support Pin	Stödpinne	2	
451	949802	Spring Pin	Rörpinne	3	
453	3705958	Pin	Pinne	3	
454	3792411	Retaining Ring	Spårring	1	
455	3791513	Joint Coupling	Medbringare	1	
460	184660	Tapered Roller Bearing	Koniskt rullager	1	T7FC 055
470	184760	Cylindrical Bearing	Cylindriskt lager	1	NUP2210ECP
476	974190	Spacer Washer	Distansbricka		0,5
476	977614	Spacer Washer	Distansbricka		0,6
476	977615	Spacer Washer	Distansbricka		0,8
476	974191	Spacer Washer	Distansbricka		1,0
478	914472	Retaining Ring	Spårring	1	
493	974111	Hex Socket Screw	Insexskruv	8	M10*60, 10.9
495	3709997	Gasket	Packning	1	
501	3792910	Intermediate Housing	Mellanhus	1	Type C
501	3792894	Intermediate Housing	Mellanhus	1	Type I
501	3793757	Intermediate Housing	Mellanhus	1	Type S
502	950588	Pin	Pinne	2	
510	3793607	Hex Socket Plug assy	Insexpropp kpl	1	M18, Viton, For C-Housing
510	3793600	Hex Socket Plug assy	Insexpropp kpl	1	M22, For I-Housing
510	3708150	Hex Socket Plug assy	Insexpropp kpl	1	7/8"-14, For S-Housing

## General Parts V12-110

Item	Part No	Title	Benämning	Qty	Remarks
211	3794018	Bearing Housing	Lagerhus	1	Type C
211	3791878	Flange	Fläns	1	Type I
211	3793433	Flange	Fläns	1	Type S
225	3796541	O-ring	O-ring	1	114,5*3
227	3791882	Gasket	Packning	1	
227	949736	O-ring	O-ring	1	139,5*3
229	976643	O-ring	O-ring	1	192*4
231	3791954	Seal Carrier	Tättringshållare	1	
233	3786395	Shaft Seal	Tättningsring	1	Repl. 3793420
237	914552	Retaining Ring	Spärring	1	
245	947083	Seal Washer	Tätbricka	8	
246	969279	Hex. Socket Screw	Insexskruv	8	M12*35
246	3797016	Hex. Socket Screw	Insexskruv	8	M10*35, for C-Housing
311	3794840	Shaft	Axel	1	Type C
311	3792452	Shaft	Axel	1	Type D
311	3795142	Shaft	Axel	1	Type E
311	3793429	Shaft	Axel	1	Type S
411	3793192	Cylinder Barrel	Cylindertrumma	1	Replaces 3709594
413	3793185	Guide Pin	Styrstift	3	
415	184778	Needle Bearing	Nålbusning	1	Included in cylinder barrel
420	3793188	Valve Segment assy.	Ventilsegment kpl.	1	
424	3793183	Sliding Plate	Glidplatta	1	
433	3709175	Compression Spring	Tryckfjäder	1	
434	3709886	Guide Pin	Styrpinne	1	
440	3782326	Piston assy.	Kolv kpl.	9	Replaces 3792373
442	3709933	Piston Ring	Lamellring	27	
447	3781043	Joint Shaft	Synkroniseringsaxel	1	Replaces 3709856
448	3706393	Joint Roller	Rulle	6	
449	3709889	Support Pin	Stödpinne	2	
451	949802	Spring Pin	Rörpinne	3	
453	3705958	Pin	Pinne	3	
454	3792387	Retaining Ring	Spärring	1	
455	3709887	Joint Coupling	Medbringare	1	
460	184662	Tapered Roller Bearing	Koniskt rullager	1	T7FC 065
470	184762	Cylindrical Bearing	Cylindriskt lager	1	NUP2212ECP
476	946297	Spacer Washer	Distansbricka		0,5
476	977618	Spacer Washer	Distansbricka		0,6
476	977619	Spacer Washer	Distansbricka		0,8
477	946298	Spacer Washer	Distansbricka		1,0
478	914476	Retaining Ring	Spärring	1	
493	974122	Hex Socket Screw	Insexskruv	8	M12*65
495	3709817	Gasket	Packning	1	
501	3794016	Intermediate Housing	Mellanhus	1	Type C
501	3793179	Bearing Housing	Lagerhus	1	Type I
501	3793783	Bearing Housing	Lagerhus	1	Type S
502	950588	Pin	Pinne	2	
510	3794309	Hex Socket Plug assy	Insexpropp kpl	1	M27, Nitrile Rep. 3794088
510	3793607	Hex Socket Plug assy	Insexpropp kpl	1	M18, Viton, for C-Housing
510	3707299	Hex Socket Plug assy	Insexpropp kpl	1	1 1/16"-12, for S-Housing

## General Parts V12-160

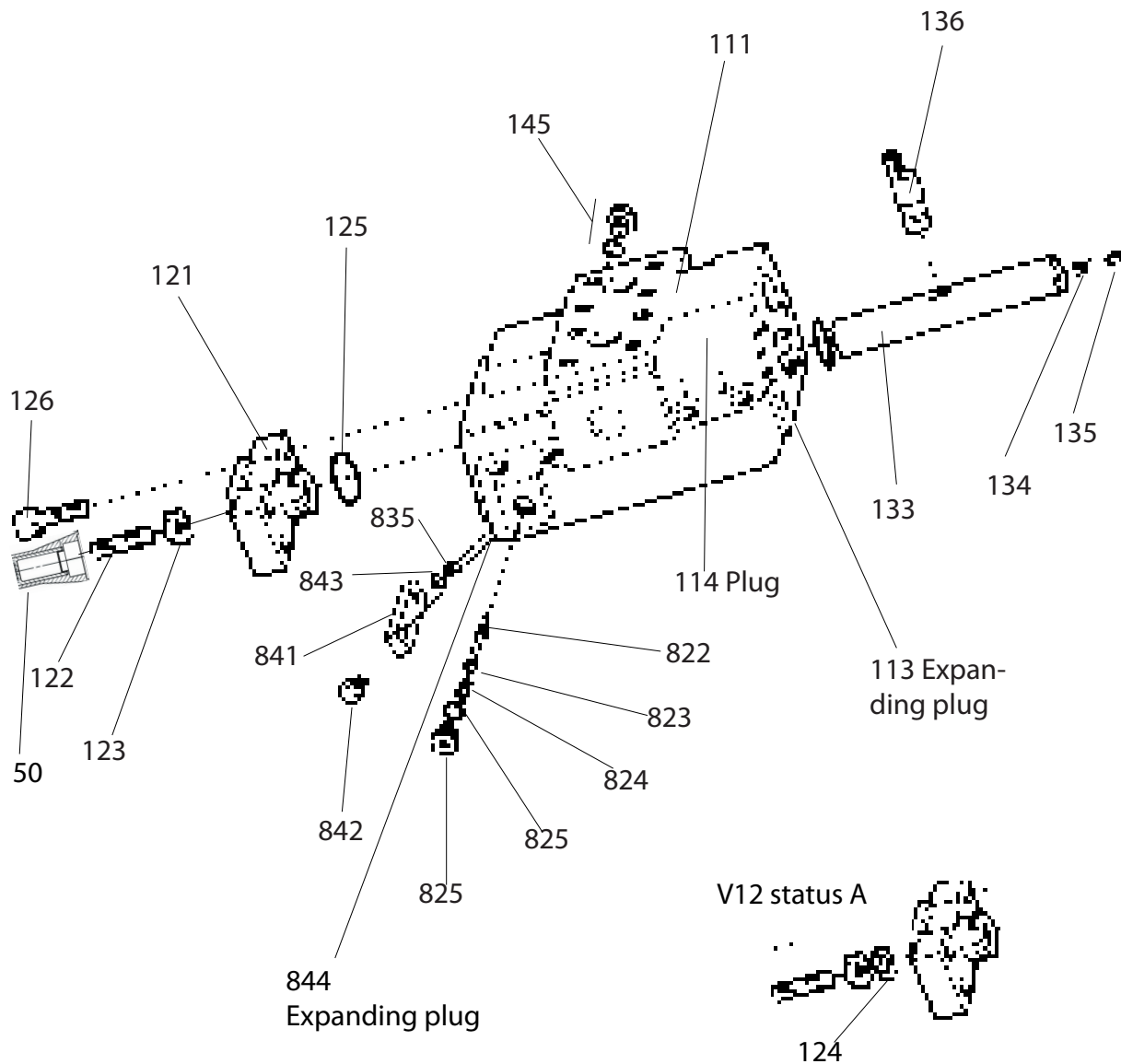
Item	Part No	Title	Benämning	Qty	Remarks
211	3793588	Flange	Fläns	1	TYPE SAE D
211	3794959	Flange	Fläns		TYPE N
211	3791827	Flange	Fläns		TYPE I
225	3796541	O-ring	O-ring		114,5*3 V 70
227	3792151	Gasket	Packning	1	
231	3791954	Seal carrier	Tättringshållare	1	
233	3786395	Shaft seal	Tättningsring	1	Repl. 3793420
237	914552	Retaining ring	Spårring	1	
246	969224	Hex s scr	Ins skruv	8	M12*70 10.9
311	3792263	Shaft	Axel	1	TYPE S
311	3792249	Shaft	Axel		TYPE D
311	3795576	Shaft	Axel		TYPE C
311	3791842	Shaft	Axel		TYPE K
411	3709756	Cylinder barrel assy.	Cylindertrumma kpl.	1	Replaces 3709755
413	3793185	Guide pin	Styrstift	3	
415	184768	Needle bearing	Nålbusning	1	In cylinder barrel assy.
420	3794064	Valve segment assy	Ventilsegment kpl	1	
424	3793440	Sliding plate	Glidplatta	1	
433	3709175	Compression spring	Tryckfjäder	1	
434	3709761	Guide pin	Styrpinne	1	
440	3782400	Piston	Kolv	9	Replaces 3792094
442	3709934	Piston ring	Lamellring diam	27	
447	3782233	Joint shaft	Synkroniseringsaxel	1	Replaces 3792461
448	3706669	Joint roller	Rulle	6	
449	3708046	Support pin	Stödpinne	2	
451	3798103	Spring pin	Rörpinne	3	Or 973526
453	3792087	Pin	Pinne	3	
454	914525	Retaining ring	Spårring	1	
455	3709754	Joint coupling	Medbringare	1	
460	184775	Tap rol bearing	Kon rullager	1	T7FC 075
470	184762	Cyl bearing	Cyl lager	1	NUP2212ECP
476	946297	Spacer washer 0.5	Distansbricka 0,5	1	
476	977618	Spacer washer 0.6	Distansbricka 0,6	1	
476	977619	Spacer washer 0.8	Distansbricka 0,8	1	
477	946298	Spacer washer 1.0	Distansbricka 1,0	1	
478	914476	Retaining ring	Spårring	1	
493	969224	Hex s scr	Ins skruv	8	M12*70 10.9
495	3791820	Gasket	Packning	1	
501	3793594	Bearing housing	Lagerhus	1	SAE
501	3793781	Bearing housing	Lagerhus		ISO
502	950588	Pin	Pinne	2	
510	3707299	Hex. Plug	Insexpropp	1	S-Housing,1-1/16
510	3794309	Hex. Plug	Insexpropp	1	M27, Repl. 3794088

General Parts V12-60/160 End Cap, Status A, C and D.

V12 status D as shown in the picture.

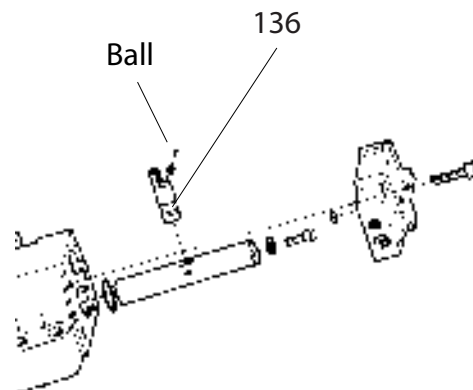
V12 status C has (122) Hexagon S Screw, (124) Seal Washer but no Nut item (123).

V12 status A has (122) Set Screw, (123) Nut and (124) Seal Washer.



V12 status B, companion pin, item 136 is located by a detent ball and a spring and displacement limiters are installed in the ends of the Setting Piston.

Spares for this status are no longer available and has to be rebuilt to status D.



## General Parts V12-60 End Cap, Status A/C/D.

Item	Part No	Benämning	Title	Qty	Remarks
50	3797065	Plomberingshylsa	Seal Cap M10	1	Red
111	3793070	Ansl.Block iso axi	End Cap Iso Axial	1	Type A
111	3793596	Ansl.Block Iso Rad	End Cap Iso Rad	1	Type F
111	3794718	Ansl.Block Sae Rad	End Cap Sae Rad	1	Type S
111	3794721	Ansl.Bl.Sae Rad Spolv	End Cap Sae Rad Flush	1	Type S, L01
111	3793754	Ansl.Block Sae Axi	End Cap Sae Axial	1	Type U
111	3794720	Ansl.Bl.Sae Axi Spolv	End Cap Sae Axi Flush	1	Type U, L01
113	3701127	Expanderplugg 6	Expanding Plug 6	1	
114	962932	Stoppskruv M8*8	Set Screw M8*8	1	
116	3701127	Expanderplugg 6	Expanding Plug 6	1	
121	3799779	Lock	Cover	1	Only for 3799011
122	975614	Stoppskruv M10*60	Set Screw M10*60	1	
123	3799011	Tätmutter	Seal Nut M10	1	Only status D
124	3792367	Gängtätbricka	Seal Washer	1	Status A/C
125	960170	O-Ring 22,2*3 N 90	O-Ring 22.2*3 N 90	1	
126	949067	Ins Skruv M10*30 10.9	Hex S Scr M10*30 10.9	4	
133	3793146	Ställkolv	Setting Piston	1	
134	3785062	Stoppskruv M10*12	Set Screw M10*12	1	Replaces 963023
135	962943	Stoppskruv M10*12	Set Screw M10*12	1	
136	3791767	Medbringartapp	Companion Pin	1	
145	3793600	Insexpropp Kpl M22 H	Hex Sock. Pl.Assy M22	2	
822	3792216	Spolkolv	Shuttle	1	
823	3792834	Bricka 7,4*11,5*2	Washer 7.4*11.5*2	2	
824	3709866	Tryckfjäder	Compression Spring	2	
825	3795685	Sexkantpropp Kpl M14	Hexagon Plug Assy N	2	Repl. 3793353
835	3793326	Munstycke 0,8 (M10*1)	Nozzle	1	0,8
835	3794410	Munstycke 1,0 (M10*1)	Nozzle	1	1,0
835	3794411	Munstycke 1,1 (M10*1)	Nozzle	1	1,1
835	3794412	Munstycke 1,2 (M10*1)	Nozzle	1	1,2
835	3794413	Munstycke 1,3 (M10*1)	Nozzle	1	1,3
835	3794414	Munstycke 1,4 (M10*1)	Nozzle	1	1,4
835	3794415	Munstycke 1,5 (M10*1)	Nozzle	1	1,5
835	3794416	Munstycke 1,6 (M10*1)	Nozzle	1	1,6
835	3794417	Munstycke 1,7 (M10*1)	Nozzle	1	1,7
835	3794418	Munstycke 1,8 (M10*1)	Nozzle	1	1,8
835	3794419	Munstycke 1,9 (M10*1)	Nozzle	1	1,9
835	3794420	Munstycke 2,0 (M10*1)	Nozzle	1	2,0
841	3793328	Skyddslock	Protective Cover	1	
842	974076	Ins Skruv M6*20 10.9	Hex S Scr M6*20 10.9	2	
843	925055	O-Ring 11,3*2,4 N 70	O-Ring 11.3*2.4 N 70	1	
844	3795269	Expanderplugg 9	Expanding Plug 9	2	



## General Parts V12-80 End Cap, Status A/C/D.

Item	Part No	Title	Benämning	Qty	Remarks
50	3797065	Seal Cap M10	Plomberingshylsa	1	Red
111	3793531	End Cap Iso Axial	Ansl.Block Iso Axi	1	Type A
111	3793008	End Cap Iso Rad	Ansl.Block Iso Rad	1	Type F
111	3794715	End Cap Iso Rad Flush	Ansl.Bl.Iso Rad Spolv	1	Type F, L01
111	3793685	End Cap Sae Radial	Ansl.Block Sae Rad	1	Type S
111	3794347	End Cap Sae Rad Flush	Ansl.Bl.Sae Rad Spolv	1	Type S, L01
111	3793756	End Cap Sae Axial	Ansl.Block Sae Axi	1	Type U
111	3794716	End Cap Sae Axi Flush	Ansl.Bl.Sae Axi Spolv	1	Type U, L01
113	3701127	Expanding Plug 6	Expanderplugg 6	1	
114	962932	Set Screw M8*8	Stoppskruv M8*8	1	
116	3701127	Expanding Plug 6	Expanderplugg 6	1	
121	3799779	Cover	Lock	1	Only for 3799011
122	975614	Set Screw M10*60	Stoppskruv M10*60	1	
123	3799011	Seal Nut M10	Tätmutter	1	Only status D
124	3792367	Seal Washer M10	Gängtätbricka M10	1	Status A/C
125	960170	O-Ring 22.2*3 N 90	O-Ring 22,2*3 N 90	1	
126	949067	Hex S Scr M10*30 10.9	Ins Skruv M10*30 10.9	4	
133	3792909	Setting Piston	Ställkolv	1	
134	3785062	Set Screw M10*12	Stoppskruv M10*12	1	Repl. 963023
135	962943	Set Screw M10*12	Stoppskruv M10*12	1	
136	3709995	Companion Pin	Medbringartapp	1	
145	3793600	Hex Sock. Pl.Assy M22	Insexpropp Kpl M22 H	2	For F
822	3792216	Shuttle	Spolkolv	1	
823	3792834	Washer 7.4*11.5*2	Bricka 7,4*11,5*2	2	
824	3709866	Compression Spring	Tryckfjäder	2	
825	3793353	Hexagon Plug Assy N	Sexkantpropp Kpl M14	2	
835	3794410	Nozzle	Munstycke 1,0 (M10*1)	1	1,0
835	3794411	Nozzle	Munstycke 1,1 (M10*1)	1	1,1
835	3794412	Nozzle	Munstycke 1,2 (M10*1)	1	1,2
835	3794413	Nozzle	Munstycke 1,3 (M10*1)	1	1,3
835	3794414	Nozzle	Munstycke 1,4 (M10*1)	1	1,4
835	3794415	Nozzle	Munstycke 1,5 (M10*1)	1	1,5
835	3794416	Nozzle	Munstycke 1,6 (M10*1)	1	1,6
835	3794417	Nozzle	Munstycke 1,7 (M10*1)	1	1,7
835	3794418	Nozzle	Munstycke 1,8 (M10*1)	1	1,8
835	3794419	Nozzle	Munstycke 1,9 (M10*1)	1	1,9
835	3794420	Nozzle	Munstycke 2,0 (M10*1)	1	2,0
841	3793328	Protective Cover	Skyddslock	1	
842	974076	Hex S Scr M6*20 10.9	Ins Skruv M6*20 10.9	2	
843	925055	O-Ring 11.3*2.4 N 70	O-Ring 11,3*2,4 N 70	1	
844	3795269	Expanding Plug 9	Expanderplugg 9	2	

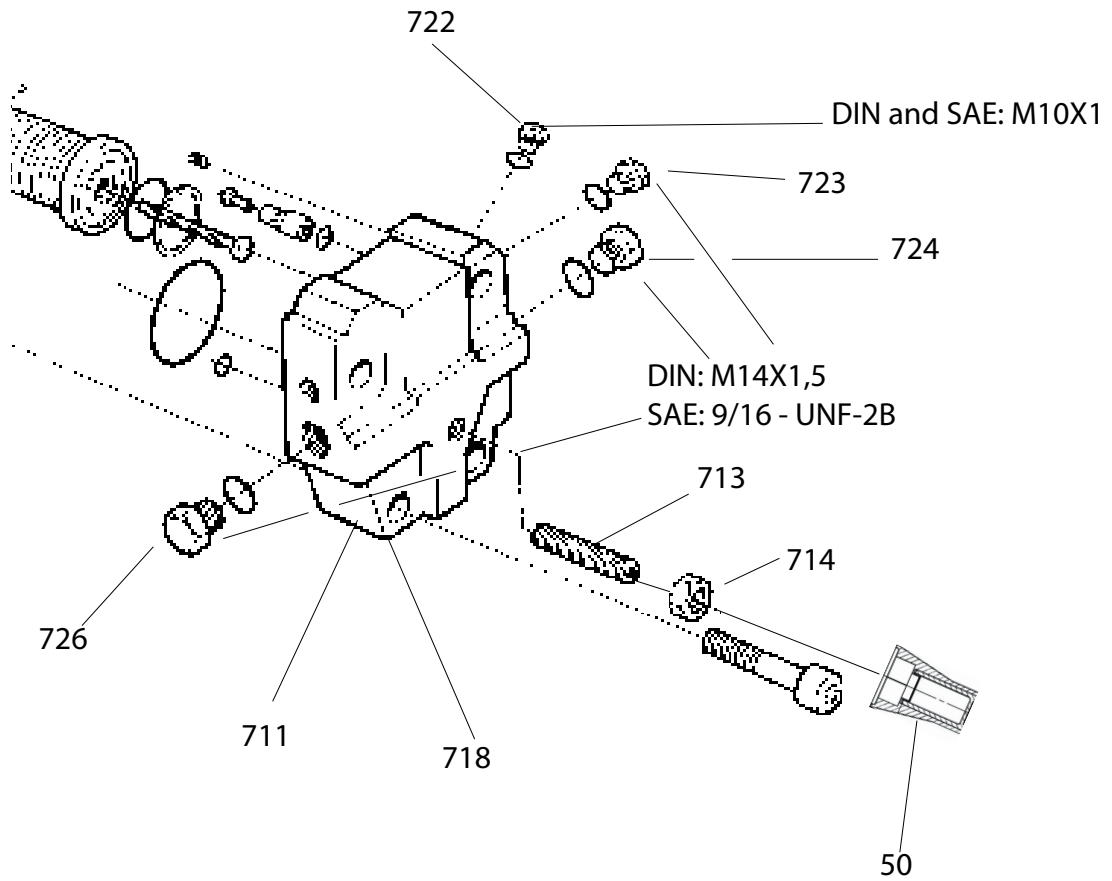
General Parts V12-110 End Cap, Status A/C/D.

Item	Part No	Title	Benämning	Qty	Remarks
50	3797065	Seal Cap M10	Plomberingshylsa	1	Red
111	3793612	End Cap Iso Axial	Ansl.Block Iso Axi	1	Type A
111	3793258	End Cap Iso Axi Flush	Ansl.Bl.Iso Axi Spolv	1	Type A,L01
111	3794047	End Cap Iso Radial	Ansl.Block Iso Rad	1	Type F
111	3794327	End Cap Iso Rad Flush	Ansl.Bl.Iso Rad Spolv	1	Type F, L01
111	3794330	End Cap Sae Radial	Ansl.Block Sae Rad	1	Type S
111	3794328	End Cap Sae Rad Flush	Ansl.Bl.Sae Rad Spolv	1	Type S, L01
111	3793784	End Cap Sae Axial	Ansl.Block Sae Axi	1	Type U
111	3794329	End Cap Sae Axi Flush	Ansl.Bl.Sae Axi Spolv	1	Type U, L01
113	3795603	Seal Plug M6	Förseglingspropp M6	1	
114	962932	Set Screw M8*8	Stoppskruv M8*8	1	
116	3795603	Seal Plug M6	Förseglingspropp M6	1	
121	3799778	Cover	Lock	1	Only for 3799011
122	975614	Set Screw M10*60	Stoppskruv M10*60	1	
123	3799011	Seal Nut M10	Tätmutter M10	1	Only status D
124	3792367	Seal Washer M10	Gängtätbricka M10	1	Status A/C
125	960171	O-Ring 24.2*3 N 90	O-Ring 24,2*3 N 90	1	
126	949067	Hex S Scr M10*30 10.9	Ins Skruv M10*30 10.9	4	
133	3793178	Setting Piston	Ställkolv	1	
I 134	3785062	Set Screw M10*12	Stoppskruv M10*12	1	Repl. 963023
135	962943	Set Screw M10*12	Stoppskruv M10*12	1	
136	3709797	Companion Pin	Medbringartapp	1	
145	3793600	Hex Sock. Pl.Assy M22	Insexpropp Kpl M22 H		
822	3792216	Shuttle	Spolkolv	1	
823	3792834	Washer 7.4*11.5*2	Bricka 7,4*11,5*2	2	
824	3709866	Compression Spring	Tryckfjäder	2	
825	3793353	Hexagon Plug Assy N	Sexkantpropp Kpl M14	2	
835	3794410	Nozzle	Munstycke 1,0 (M10*1)	1	1,0
835	3794411	Nozzle	Munstycke 1,1 (M10*1)	1	1,1
835	3794412	Nozzle	Munstycke 1,2 (M10*1)	1	1,2
835	3794413	Nozzle	Munstycke 1,3 (M10*1)	1	1,3
835	3794414	Nozzle	Munstycke 1,4 (M10*1)	1	1,4
835	3794415	Nozzle	Munstycke 1,5 (M10*1)	1	1,5
835	3794416	Nozzle	Munstycke 1,6 (M10*1)	1	1,6
835	3794417	Nozzle	Munstycke 1,7 (M10*1)	1	1,7
835	3794418	Nozzle	Munstycke 1,8 (M10*1)	1	1,8
835	3794419	Nozzle	Munstycke 1,9 (M10*1)	1	1,9
835	3794420	Nozzle	Munstycke 2,0 (M10*1)	1	2,0
841	3793328	Protective Cover	Skyddslock	1	
842	974076	Hex S Scr M6*20 10.9	Ins Skruv M6*20 10.9	2	
843	925055	O-Ring 11.3*2.4 N 70	O-Ring 11,3*2,4 N 70	1	
844	3795269	Expanding Plug 9	Expanderplugg 9	2	

## General Parts V12-160 End Cap, Status A/C/D.

Item	Part No	Title	Benämning	Qty	Remarks
50	3797065	Seal Cap M10	Plomberingshylsa	1	Red
111	3793780	End Cap Iso Axial	Ansl.Block Iso Axi	1	Type A
111	3794336	End Cap Iso Axi Flush	Ansl.Bl.Iso Axi Spolv	1	Type A,L01
111	3794325	End Cap Iso Radial	Ansl.Block Iso Rad	1	Type F
111	3794339	End Cap Iso Rad Flush	Ansl.Bl.Iso Rad Spolv	1	Type F, L01
111	3794326	End Cap Sae Radial	Ansl.Block Sae Rad	1	Type S
111	3794338	End Cap Sae Rad Flush	Ansl.Bl.Sae Rad Spolv	1	Type S, L01
111	3793585	End Cap Sae Axial	Ansl.Block Sae Axi	1	Type U
111	3794337	End Cap Sae Axi Flush	Ansl.Bl.Sae Axi Spolv	1	Type U, L01
113	3795603	Seal Plug M6	Förseglingspropp M6	1	
114	963013	Set Screw M8*10	Stoppskruv M8*10	1	
116	3795603	Seal Plug M6	Förseglingspropp M6	1	
121	3799780	Cover	Lock	1	Only for 3799011 122
122	975614	Set Screw M10*60	Stoppskruv M10*60	1	
123	3799011	Seal Nut M10	Tätmutter	1	Only status D
124	3792367	Seal Washer	Gängtätbricka	1	Status A/C
125	960173	O-Ring 29.2*3 N 90	O-Ring 29,2*3 N 90	1	
126	969279	Hex S Scr M12*35 10.9	Ins Skruv M12*35 10.9	4	
133	3793587	Setting Piston	Ställkolv	1	
134	3785062	Set Screw M10*12	Stoppskruv M10*12	1	Repl. 963023
135	962943	Set Screw M10*12	Stoppskruv M10*12	1	
136	3709527	Companion Pin	Medbringartapp	1	
145	3793600	Hex Sock. Pl.Assy M22	Insexpropp Kpl M22 H	2	
822	3792216	Shuttle	Spolkolv	1	
823	3792834	Washer 7.4*11.5*2	Bricka 7,4*11,5*2	2	
824	3709866	Compression Spring	Tryckfjäder	2	
825	3793353	Hexagon Plug Assy N	Sexkantpropp Kpl M14	2	
835	3794410	Nozzle	Munstycke 1,0 (M10*1)	1	1,0
835	3794411	Nozzle	Munstycke 1,1 (M10*1)	1	1,1
835	3794412	Nozzle	Munstycke 1,2 (M10*1)	1	1,2
835	3794413	Nozzle	Munstycke 1,3 (M10*1)	1	1,3
835	3794414	Nozzle	Munstycke 1,4 (M10*1)	1	1,4
835	3794415	Nozzle	Munstycke 1,5 (M10*1)	1	1,5
835	3794416	Nozzle	Munstycke 1,6 (M10*1)	1	1,6
835	3794417	Nozzle	Munstycke 1,7 (M10*1)	1	1,7
835	3794418	Nozzle	Munstycke 1,8 (M10*1)	1	1,8
835	3794419	Nozzle	Munstycke 1,9 (M10*1)	1	1,9
835	3794420	Nozzle	Munstycke 2,0 (M10*1)	1	2,0
841	3793328	Protective Cover	Skyddslock	1	
842	974076	Hex S Scr M6*20 10.9	Ins Skruv M6*20 10.9	2	
843	925055	O-Ring 11.3*2.4 N 70	O-Ring 11,3*2,4 N 70	1	
844	3795269	Expanding Plug 9	Expanderplugg 9	2	

V12-60/160 Control Covers, picture

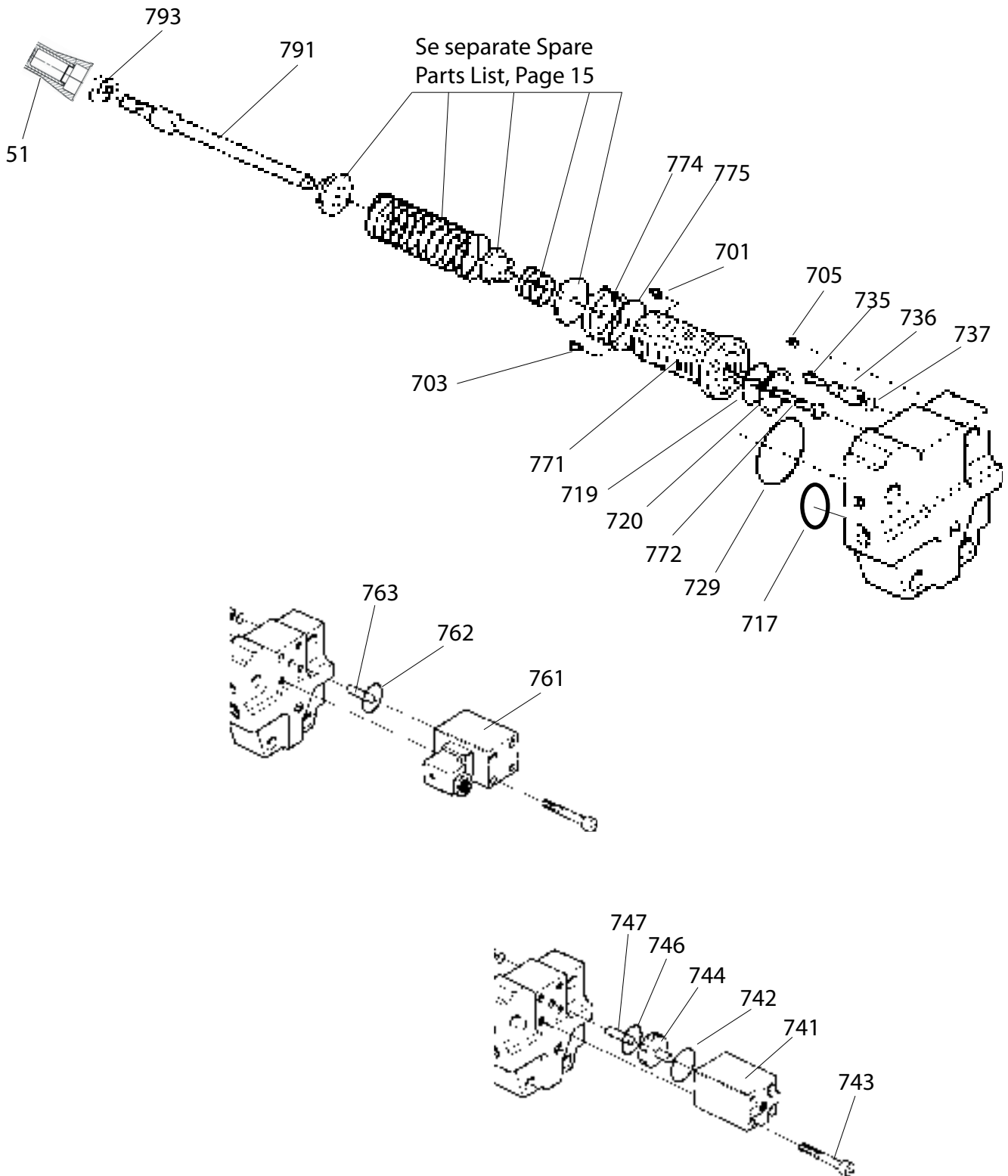


**SP182-0625**

## V12-60/160 Control Covers

Item	Part No	Title	Frame size	Qty	Remarks
50	3797065	Seal Cap M10		1	Red
711	3799781	ISO (ACE--I HOS---)	60	1	Replaces 3793198
711	3799785	ISO (ACI--I)	60	1	Replaces 3794489
711	3799787	ISO (AHE--I)	60	1	Replaces 3794897
711	3799789	ISO (AHI--I)	60	1	Replaces 3795039
711	3799783	ISO (EOL--- EPL---)	60	1	Replaces 3794483
711	3799782	SAE (ACE--I HOS---)	60	1	Replaces 3794137
711	3799786	SAE (ACI--I)	60	1	Replaces 3794490
711	3799788	SAE (AHE--I)	60	1	Replaces 3795040
711	3799790	SAE (AHI--I)	60	1	Replaces 3794915
711	3799784	SAE (EOL--- EPL---)	60	1	Replaces 3794484
711	3799797	ISO (ACE--I HOS---)	80	1	Replaces 3793518
711	3799791	ISO (ACI--I)	80	1	Replaces 3793727
711	3799799	ISO (AHE--I)	80	1	Replaces 3793731
711	3799795	ISO (AHI--I)	80	1	Replaces 3793730
711	3799793	ISO (EOL--- EPL---)	80	1	Replaces 3793728
711	3799798	SAE (ACE--I HOS---)	80	1	Replaces 3794072
711	3799792	SAE (ACI--I)	80	1	Replaces 3793001
711	3799800	SAE (AHE--I)	80	1	Replaces 3793736
711	3799796	SAE (AHI--I)	80	1	Replaces 3793141
711	3799794	SAE (EOL--- EPL---)	80	1	Replaces 3793012
711	3799803	ISO (ACE--I HOS---)	110	1	Replaces 3793139
711	3799801	ISO (ACI--I)	110	1	Replaces 3794275
711	3795568	ISO (AEI	110	1	Brake def.
711	3799809	ISO (AHE--I)	110	1	Replaces 3794651
711	3799807	ISO (AHI--I)	110	1	Replaces 3794650
711	3799805	ISO (EOL--- EPL---)	110	1	Replaces 3794202
711	3799804	SAE (ACE--I HOS---)	110	1	Replaces 3793671
711	3799802	SAE (ACI--I)	110	1	Replaces 3794274
711	3799810	SAE (AHE--I)	110	1	Replaces 3794653
711	3799808	SAE (AHI--I)	110	1	Replaces 3794652
711	3799806	SAE (EOL--- EPL---)	110	1	Replaces 3794201
711	3799813	ISO (ACE--I HOS---)	160	1	Replaces 3796223
711	3799811	ISO (ACI--I)	160	1	Replaces 3796224
711	3799819	ISO (AHE--I)	160	1	Replaces 3796225
711	3799817	ISO (AHI--I)	160	1	Replaces 3796216
711	3799815	ISO (E-----)	160	1	Replaces 3796217
711	3799814	SAE (ACE--I HOS---)	160	1	Replaces 3796165
711	3799812	SAE (ACI--I)	160	1	Replaces 3796215
711	3799820	SAE (AHE--I)	160	1	Replaces 3796226
711	3799818	SAE (AHI--I)	160	1	Replaces 3796227
711	3799816	SAE (E-----)	160	1	Replaces 3796228
713	975616	Set Screw M10x80		1	
713	975615	Set Screw M10x70	60,80	1	For seal cap
713	975614	Set Screw M10x60	110,160	1	For seal cap
714	3799011	Seal Nut M10		1	Only status D
715	3792367	Seal Washer		1	Status A/C
718	3701127	Expanding Plug 6		1	
722	3795603	Seal Plug M6		1	Alt.
722	3793398	Plug Ass. M10		1	Alt.
723	3707297	Hexag. Plug Assy 9/16		1	
724	3707297	Hexag. Plug Assy 9/16		1	
724	3791725	Plug Ass. M14x1.5		1	
726	3707297	Hexag. Plug Assy 9/16		1	

V12 Controls, General Parts, Picture



## V12 Controls, General Parts

Item	Part No	Title	Benämning	Qty	
51	3797064	Seal Cap M8	Plomberingshylsa	1	Red
701		Nozzle	Munstycke		As required
703		Nozzle	Munstycke		As required
705		Nozzle	Munstycke		As required
	3704587	Nozzle 0.5	Munstycke 0,5		
	3704588	Nozzle 0.6	Munstycke 0,6		
	3704589	Nozzle 0.7	Munstycke 0,7		
	3704590	Nozzle 0.8	Munstycke 0,8		
	3704591	Nozzle 0.9	Munstycke 0,9		
	3704592	Nozzle 1.0	Munstycke 1,0		
	3704593	Nozzle 1.1	Munstycke 1,1		
	3704594	Nozzle 1.2	Munstycke 1,2		
	3704595	Nozzle 1.3	Munstycke 1,3		
	3704596	Nozzle 1.4	Munstycke 1,4		
	3704597	Nozzle 1.5	Munstycke 1,5		
717	960159	O-Ring 8,3*2,4 N90	O-Ring 8,3*2,4 N90	3	
729	3792467	O-Ring N90	O-Ring N90	1	V12-060
729	3792510	O-Ring N90	O-Ring N90	1	V12-080
729	3792379	O-Ring 31,42*2,62 N90	O-Ring 31,42*2,62 N90	1	V12-110
729	3792319	O-Ring N90	O-Ring N90	1	V12-160
735	3792432	Valve Cone	Ventilkägla	2	
736	3782813	Valve Guide	Ventilstyrning	2	Repl. 3792433
737	967747	O-Ring 9,4*2,1 N90	O-Ring 9,4*2,1 N90	4	Repl. 960159
737	3782816	O-Ring 9,5*2,0 V80	O-Ring 9,5*2,0 V80	4	
737	3782817	Support Ring	Stödning	4	Together with 3782813
761	3793577	Solenoid 12v	Proportionalmagn. 12v	1	
761	3793578	Solenoid 24v	Proportionalmagn. 24v	1	
762	942382	O-Ring 18,77*1,78 N70	O-Ring 18,77*1,78 N70	1	
763	3794013	Guiding Pin	Styrpinne	1	
791	3709998	Adjusting Screw	Ställskruv 60-110	1	
793	3704966	Seal Nut M8*1	Tätmutter M8*1	1	

## Valve Sleeve Kit

Part no.	Title	Benämning	Qty	
3780957	Valve sleeve assy	Ventilfoder kpl	1	Viton
3780958	Valve sleeve assy	Ventilfoder kpl	1	Nitril

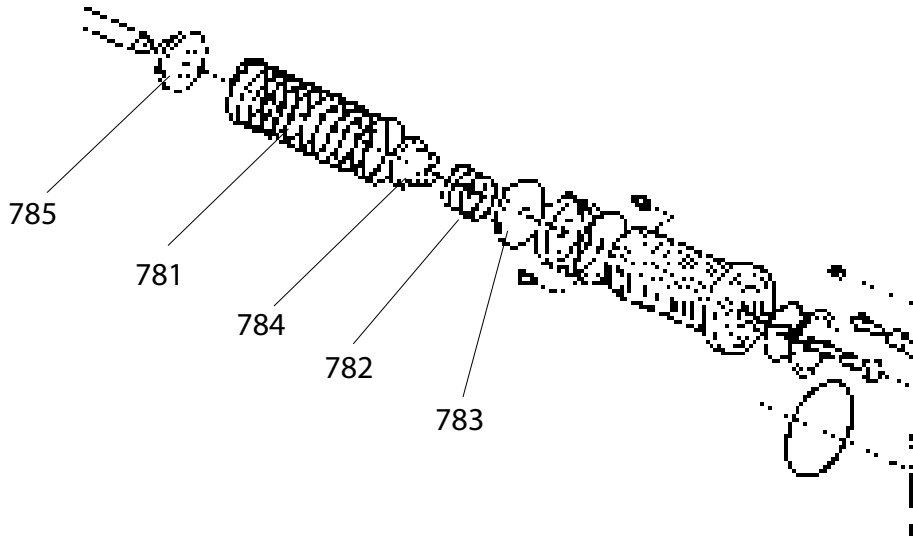
Items included in the Valve Sleeve Kit are 719, 720, 771, 772, 774 and 775.

## Housing Type AH Kit

Part no.	Title	Benämning	Qty	
3794896	Housing Type ISO Assy	Hus Typ ISO Kpl	1	
3795946	Housing Type ISO Assy	Hus Typ ISO Kpl	1	Viton
3794916	Housing Type SAE Assy	Hus Typ SAE Kpl	1	
3795890	Housing Type SAE Assy	Hus Typ SAE Kpl	1	Viton

Items included in the Housing Type AH Kit are 741, 742, 743, 744, 746 and 747.

V12 Control Spring Kits



AC and AH

Item	Title	V12-60	V12-80	V12-110	V12-160	Remarks
781	Compression spring	3793602	3793280	3793721	3795584	Ɔp = 15 bar
781	Compression spring	3793722	3793723	3793724	3794686	Ɔp = 25 bar
781	Compression spring	3792179	3792180	3792181	3792182	Ɔp = 50 bar
782	Feed back Spring	3793281	3793281	3793281	3793281	p = 140 - 400 bar
783	Spring seat	3792172	3792172	3792172	3792172	
784	Spring seat	3792173	3792173	3792173	3792173	
785	Spring guide	3791511	3791511	3709406	3709848	

HO and HP

Item	Title	V12-60	V12-80	V12-110	V12-160	Remarks
781	Compression spring	3793602	3793280	3793721	3795584	Ɔp = 15 bar
781	Compression spring	3793722	3793723	3793724	3794686	Ɔp = 25 bar
782	Feed back Spring	3793725	3793725	3793725	3793725	p = 5 - 25 bar
783	Spring seat	3792172	3792172	3792172	3792172	
784	Spring seat	3792173	3792173	3792173	3792173	
785	Spring guide	3791511	3791511	3709406	3709848	

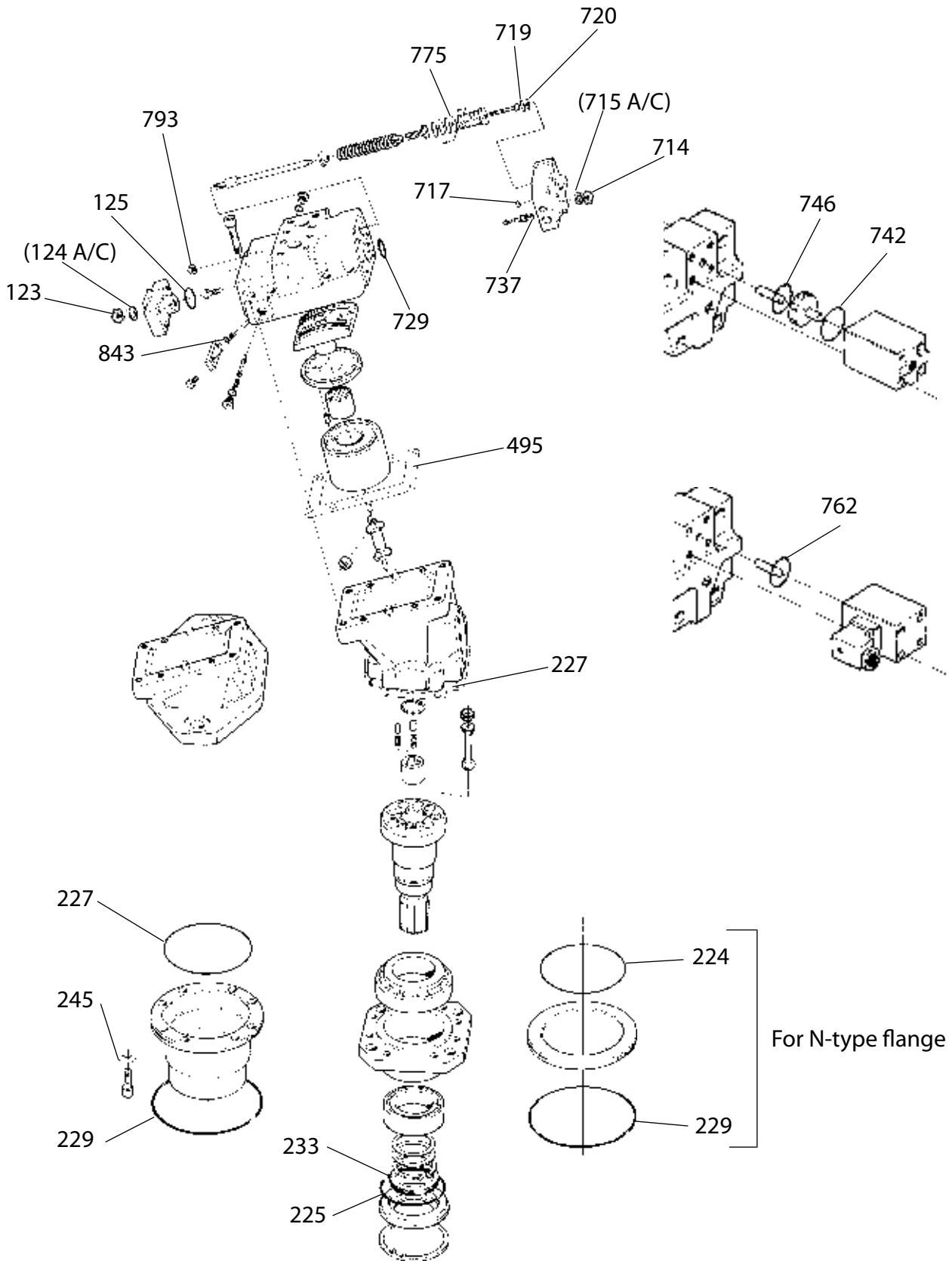
Note! For HO Controls Items 781 and 785 are excluded.

EO and EP

Item	Title	V12-60	V12-80	V12-110	V12-160	Remarks
781	Compression spring	3792175	3791547	3791548	3791549	Ɔi = 300mA
782	Feed back Spring	3792077	3792077	3792077	3792077	i = 100 - 230mA
783	Spring seat	3792172	3792172	3792172	3792172	
784	Spring seat	3792173	3792173	3792173	3792173	
785	Spring guide	3791511	3791511	3709406	3709848	



Seal Kits for V12, picture



## Seal Kits for V12-60

Item	Part No	Title	Benämning	Qty	Remarks
<b>3794856 Sealing Kit Type V</b>			<b>Tätningssats Typ V</b>		
123	3799011	Seal Nut M10	Tätmutter	1	Status D
124	3792367	Seal Washer	Gängtätbricka	1	Status A/C
125	976834	O-Ring	O-Ring	1	
224	948982	O-Ring	O-Ring	1	
225	948981	O-Ring	O-Ring	1	
227	3791854	Gasket	Packning	1	
227	3796541	O-Ring	O-Ring	1	
229	948984	O-Ring	O-Ring	1	
229	976641	O-Ring	O-Ring	1	
229	3794861	O-Ring	O-Ring	1	
233	3793419	Shaft Seal	Tätningssring	1	
245	947083	Seal Washer	Tätbricka	8	
495	3791772	Gasket	Packning	1	
714	3799011	Seal Nut M10	Tätmutter	1	Status D
715	3792367	Seal Washer	Gängtätbricka	1	Status A/C
717	976823	O-Ring	O-Ring	3	
719	976831	O-Ring	O-Ring	1	
720	3793523	Support Ring	Stödtring	1	
729	3793611	O-Ring	O-Ring	1	
737	976823	O-Ring	O-Ring	4	
742	976837	O-Ring	O-Ring	1	
746	3794257	Piston Seal Assy	Kolv tätning Kpl	1	
762	3798231	O-Ring	O-Ring	1	
775	3793534	O-Ring	O-Ring	1	
793	3704966	Seal Nut	Tätmutter	1	
843	968757	O-Ring	O-Ring	1	

## Seal Kits for V12-80

Item	Part No	Title	Benämning	Qty	Remarks
<b>3794858 Sealing Kit Type V</b>			<b>Tätningssats Typ V</b>		
123	3799011	Seal Nut M10	Tätmutter	1	Status D
124	3792367	Seal Washer	Gängtätbricka	1	Status A/C
125	976834	O-Ring	O-Ring	1	
224	948982	O-Ring	O-Ring	1	
225	948981	O-Ring	O-Ring	1	
227	949736	O-Ring	O-Ring	1	
227	3791854	Gasket	Packning	1	
229	948984	O-Ring	O-Ring	1	
229	976642	O-Ring	O-Ring	1	
229	3794861	O-Ring	O-Ring	1	
233	3793419	Shaft Seal	Tätningssring	1	
245	947083	Seal Washer	Tätbricka	8	
495	3709997	Gasket	Packning	1	
714	3799011	Seal Nut M10	Tätmutter	1	Status D
715	3792367	Seal Washer	Gängtätbricka	1	Status A/C
717	976823	O-Ring	O-Ring	3	
719	976831	O-Ring	O-Ring	1	
720	3793523	Support Ring	Stödning	1	
729	3793533	O-Ring	O-Ring	1	
737	976823	O-Ring	O-Ring	4	
742	976837	O-Ring	O-Ring	1	
746	3794257	Piston Seal Assy	Kolv tätning Kpl	1	
762	3798231	O-Ring	O-Ring	1	
775	3793534	O-Ring	O-Ring	1	
793	3704966	Seal Nut	Tätmutter	1	
843	968757	O-Ring	O-Ring	1	

## Seal Kits for V12-110

Item	Part No	Title	Benämning	Qty	Remarks
3795372 Sealing Kit Type V			Tätningssats Typ V		
123	3799011	Seal Nut M10	Tätmutter	1	Status D
124	3792367	Seal Washer	Gängtätbricka	1	Status A/C
125	976835	O-Ring	O-Ring	1	
225	3796541	O-Ring	O-Ring	1	
227	949736	O-Ring	O-Ring	1	
227	3791882	Gasket	Packning	1	
229	976643	O-Ring	O-Ring	1	
233	3786395	Shaft Seal	Tätningring	1	
245	947083	Seal Washer	Tätbricka	8	
495	3709817	Gasket	Packning	1	
714	3799011	Seal Nut M10	Tätmutter	1	Status D
715	3792367	Seal Washer	Gängtätbricka	1	Status A/C
717	976823	O-Ring	O-Ring	3	
719	976831	O-Ring	O-Ring	1	
720	3793523	Support Ring	Stödring	1	
729	3795349	O-Ring	O-Ring	1	
737	976823	O-Ring	O-Ring	4	
742	976837	O-Ring	O-Ring	1	
746	3794257	Piston Seal Assy	Kolv tätning Kpl	1	
762	3798231	O-Ring	O-Ring	1	
775	3793534	O-Ring	O-Ring	1	
793	3704966	Seal Nut	Tätmutter	1	
843	925055	O-Ring	O-Ring	1	

Seal Kits for V12-160

Item	Part No	Title	Benämning	Qty	Remarks
<b>3796388 Sealing Kit Type V</b>			<b>Tätningssats Typ V</b>		
123	3799011	Seal Nut M10	Tätmutter	1	Status D
124	3792367	Seal Washer	Gängtätbricka	1	Status A/C
125	976837	O-Ring	O-Ring	1	
225	3796541	O-Ring	O-Ring	1	
227	3792151	Gasket	Packning	1	
233	3786395	Shaft Seal	Tätningssats	1	
495	3791820	Gasket	Packning	1	
714	3799011	Seal Nut M10	Tätmutter	1	Status D
715	3792367	Seal Washer	Gängtätbricka	1	Status A/C
717	976823	O-Ring	O-Ring	3	
719	976831	O-Ring	O-Ring	1	
720	3793523	Support Ring	Stödtring	1	
729	3795400	O-Ring	O-Ring	1	
737	976823	O-Ring	O-Ring	4	
742	976837	O-Ring	O-Ring	1	
746	3794257	Piston Seal Assy	Kolv tätning Kpl	1	
762	3798231	O-Ring	O-Ring	1	
775	3793534	O-Ring	O-Ring	1	
793	3704966	Seal Nut	Tätmutter	1	
843	968757	O-Ring	O-Ring	1	



**Parker Hannifin**  
Pump and Motor Division  
Flygmotorvägen 2  
SE-461 82 Trollhättan  
Sweden  
Tel: +46 (0)520 40 45 00  
Fax: +46 (0)520 371 05  
[www.parker.com](http://www.parker.com)